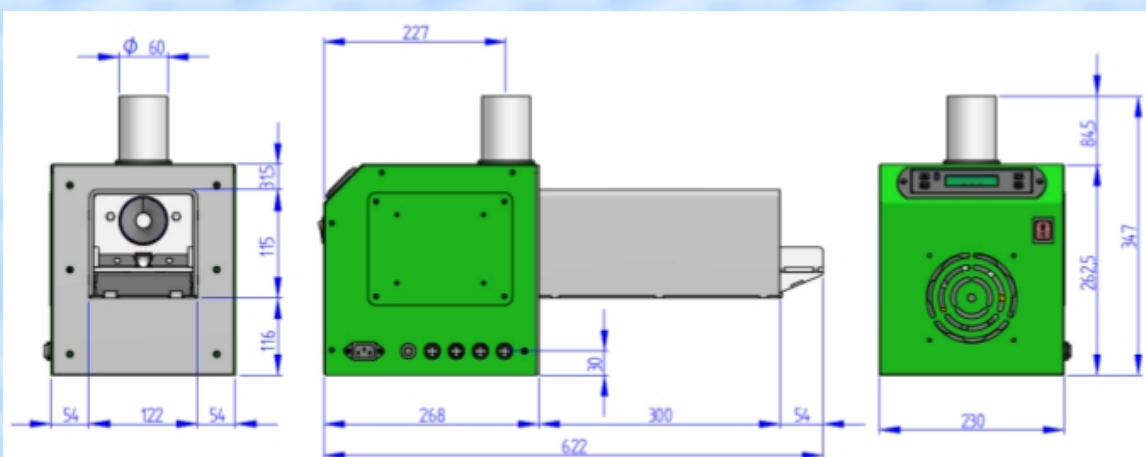
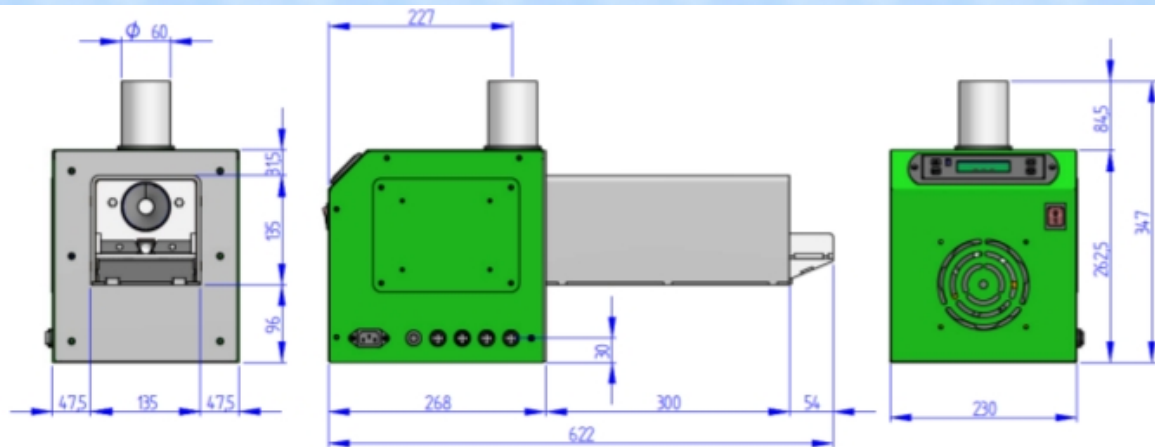


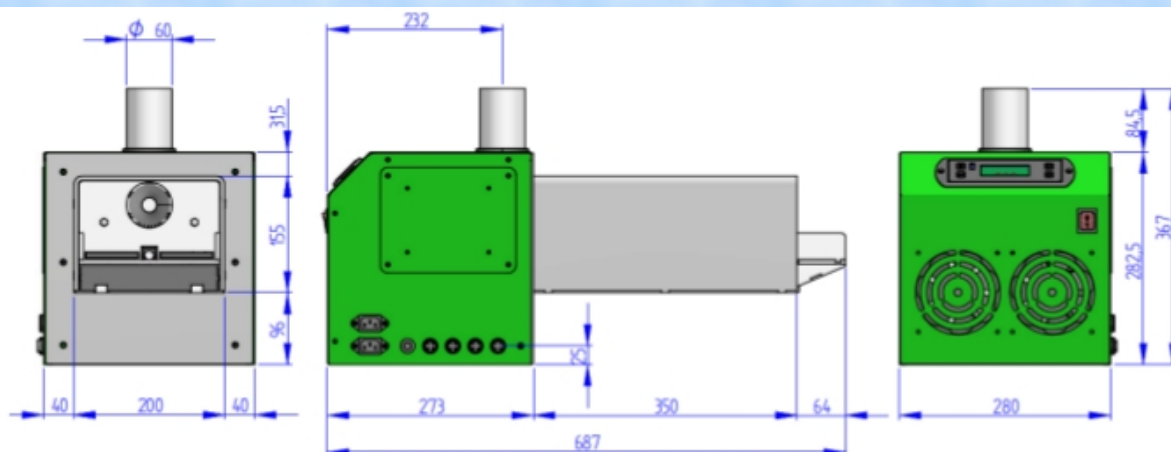
## QUEMADOR DE BIOMASA



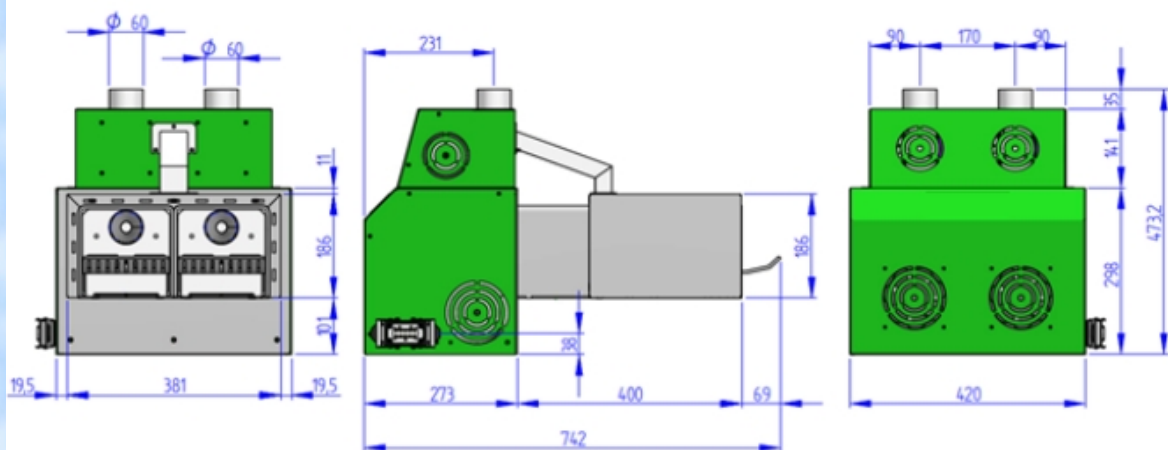
Model			B-Half
Burner Performance		KW	34-50
Av.Power Consumption		W	60
Electrical Voltage		V	230 V , 50 HZ
External Tube	Height	mm	115
	Width	mm	122
	Lenght	mm	300
Ignition		W	400
Flame Height		mm	600
Noise Level		dB	40
Burner Weight		Kg	17
Wood pellets		mm	6-8
Recommended minimum size of the boiler combustion chamber	Height	mm	300
	Width	mm	250
	Depth	mm	390
Length of the pellet screw		mm	1700
Recommended chimney catchment		Pa	25
Efficiency		%	More than 91% when it is integrated with a boiler efficiency of minimum 80%



Model		B-One	
Burner Performance		KW	50-100
Av.Power Consumption		W	60
Electrical Voltage		V	230 V , 50 HZ
External Tube	Height	mm	135
	Width	mm	135
	Lenght	mm	300
Ignition		W	400
Flame Height		mm	250
Noise Level		dB	40
Burner Weight		Kg	21
Wood pellets		mm	6-8
Recommended minimum size of the boiler combustion chamber	Height	mm	300
	Width	mm	250
	Depth	mm	390
Length of the pellet screw		mm	1700
Recommended chimney catchment		Pa	30
Efficiency		%	More than 91% when it is integrated with a boiler efficiency of minimum 80%



Model			B-Two
Burner Performance		KW	100-200
Av.Power Consumption		W	75
Electrical Voltage		V	230 V , 50 HZ
External Tube	Height	mm	155
	Width	mm	200
	Lenght	mm	350
Ignition		W	400
Flame Height		mm	300
Noise Level		dB	40
Burner Weight		Kg	31
Wood pellets		mm	6-8
Recommended minimum size of the boiler combustion chamber	Height	mm	350
	Width	mm	300
	Depth	mm	500
Length of the pellet screw		mm	1700
Recommended chimney catchment		Pa	40
Efficiency		%	More than 91% when it is integrated with a boiler efficiency of minimum 80%



Model			B-Three
Burner Performance		KW	150-300
Av.Power Consumption		W	100
Electrical Voltage		V	230 V , 50 HZ
External Tube	Height	mm	186
	Width	mm	381
	Lenght	mm	400
Ignition		W	400
Flame Height		mm	350
Noise Level		dB	40
Burner Weight		Kg	55
Wood pellets		mm	6-8
Recommended minimum size of the boiler combustion chamber	Height	mm	400
	Width	mm	350
	Depth	mm	550
Length of the pellet screw		mm	1700
Recommended chimney catchment		Pa	40
Efficiency		%	More than 91% when it is integrated with a boiler efficiency of minimum 80%